

Name: Rene König
Date: 13.05.2018
Track: Sand am Main

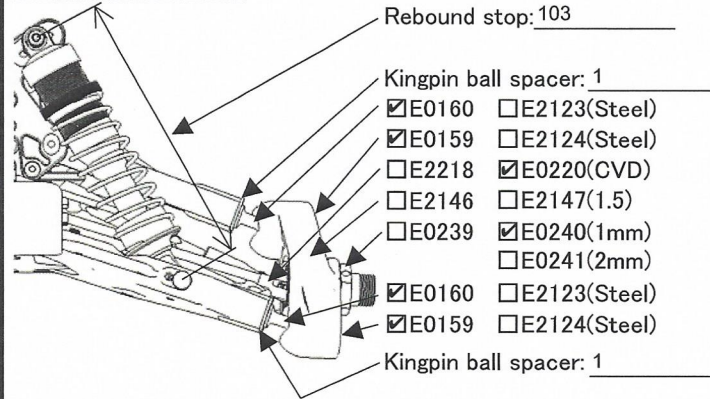
Track conditions

Size: Open Med. Tight
 Traction: High Med. Low
 Surface: Smooth Med. Bumpy

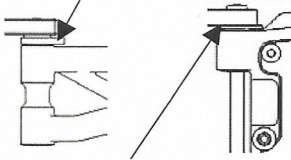
Result

Race time / Lap: _____
 Best lap (1Lap): 29,2

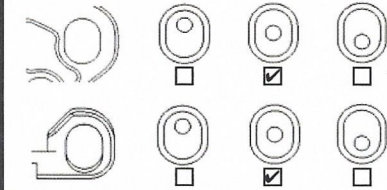
Front suspension



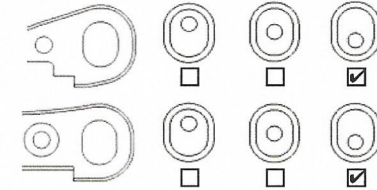
Ride height: 24
 Toe angle: _____
 Lower arm plate:
 E2144A,B
 E2154(CFRP 1mm)
 E2155(CFRP 1.2mm)
 Anti roll bar: 2,3
 Upper arm spacer: 2



Upper arm position:



Lower arm position (Kick up):

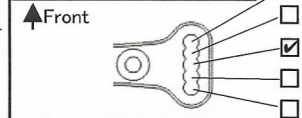


Front shocks

Piston: 8x1,2T Oil: 750
 Spring: 9.25
 Shock position:

 Pivot ball position: Front Rear
 Damper stay: E2562(Aluminum)
 E2565(CFRP)

Steering ackerman



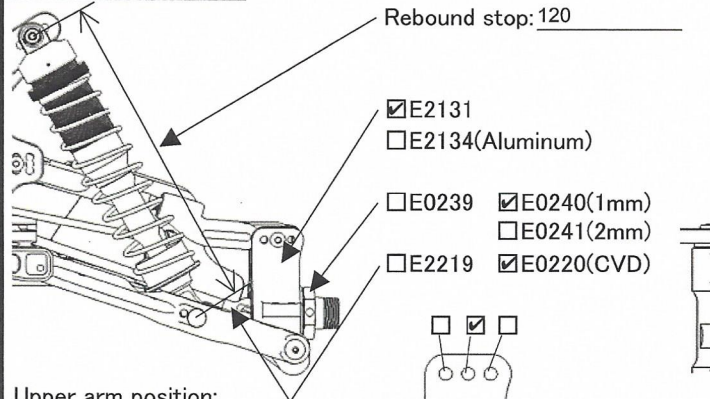
Front upper plate

E2148D E2158(CFRP)

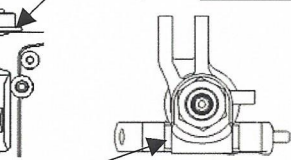
Servo saver arm

E2301A E2310(Aluminum)

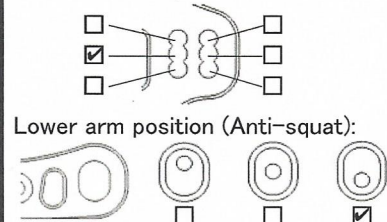
Rear suspension



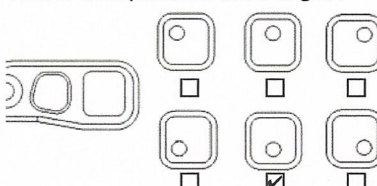
Ride height: 28
 Camber angle: _____
 Lower arm plate:
 E2145A,B
 E2156(CFRP 1mm)
 E2157(CFRP 1.2mm)
 Anti roll bar: 2,6
 Lower arm spacer: 1



Upper arm position:



Lower arm position (Toe angle):



Rear shocks

Piston: 8x1,3T Oil: 550
 Spring: 10.5
 Shock position:

 Pivot ball position: Front Rear
 Damper stay: E2563(Aluminum)
 E2566(CFRP)

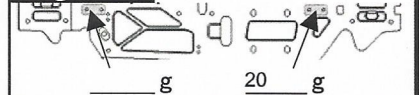
Center shaft

E0223,E0259 E2228,E2229

Tension rod

Front: E2107A(Long) E2107B(Short)
 Rear: E2148C E0803(Rubber)

Weight



Engine

Type: _____ Plug: _____ Reducer: _____
 Muffler: _____ Fuel: 24 Gasket: _____
 Engine mount: E0701(Standard) Other _____

Diff. Gear

Oil
 Front: 44/13T 42/12T 10000
 Rear: 44/13T 42/12T 3000
 Center: 44T 46T 7000
 47T 48T

Tires

Front

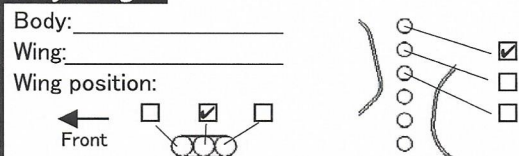
Rear

Type: _____
 Compound: _____
 Inserts: _____
 Wheel: _____

Clutch

3P 4P
 Clutch bell: 13T 14T
 Clutch shoes C0754 E0704 E0710 E2706
 Clutch spring 0.8 0.9 0.95 1.0 1.05 1.1

Body/Wing



Comments
